

Signet 5075 Totalizing Flow Monitor

Member of the ProPoint® Family of Monitors



Analog and Digital Display

Description

The Signet 5075 Totalizing Flow Monitor features a traditional analog dial for flow rate at a glance while the backlit LCD provides precision flow rate, total volume and programming information.

Significant features of this 5075 include user selectable analog dials, permanent and resettable totalizers and pulse

outputs at sensor frequency and at totalizer scale. The 5075 is powered by virtually any 12 to 24 VDC or VAC $\pm 10\%$, regulated power source.

Connect to any of Signet's flow sensors for a classic flow meter system.

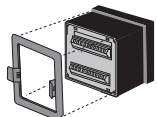

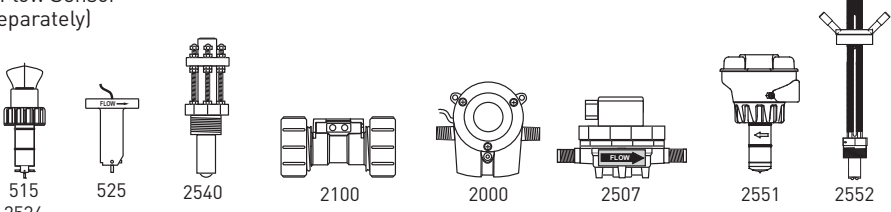
Features

- Permanent and resettable totalizers
- Tamper proof security code
- Non-volatile memory
- Simple push-button operation
- Pulse outputs at sensor frequency and at total volume
- 1/4 DIN, NEMA 4X/IP65
- Remote totalizer reset

Applications

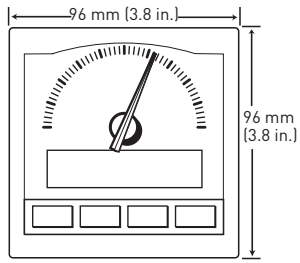
- Waste Water Flow Accumulation
- Water Treatment Systems
- Filtration Systems
- Feed Pump Pulsing
- Fertigation
- Irrigation
- Commercial Pools & Spas
- Groundwater Remediation
- HVAC
- Process Flow Monitoring
- UPW Distribution
- Demineralizer Regeneration
- Process Cooling Water
- Neutralization Systems

System Overview

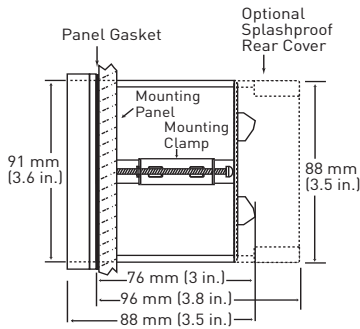
<p>Panel Mount Signet 5075 Flow Instrument includes mounting bracket and panel gasket</p> 	
<p>Signet Flow Sensor (sold separately)</p> 	
<p>Signet Fittings or end connectors as required (sold separately)</p> <p style="text-align: right;">See individual sensor catalog pages for required sensor mounting accessories.</p>	



Dimensions



Front View



Side View

Model 5075

Ordering Notes

- 1) Panel cutout should be 92 x 92 mm (3.62 x 3.62 in.)
- 2) Reversible dials are included and are scaled from 0 to 2, 0 to 4, 0 to 6, 0 to 8, 0 to 10, and 0 to 100.
- 3) Optional splash proof rear cover can be ordered separately.
- 4) Flow rate unit tags are provided for labeling dials appropriately in units of gpm, lpm, etc.

Please refer to Wiring, Installation, and Accessories sections for more information.

Specifications

General

Operating Range: 0.5 Hz to 10 kHz
Accuracy: $\pm 0.5\%$ of reading

Display:

- Analog:
Six slide-in dial ranges - 0 to 2, 4, 6, 8, 10 & 100 w/multipliers
- Digital:
Backlit LCD, 2x16 alphanumeric character

Additional Functions:

Sensor pulse output, volumetric pulse output, Remote totalizer reset

Materials

- Enclosure: ABS Plastic
- Keypad: Silicone Rubber
- Panel and case gasket: Neoprene
- Window: Hard-coated polycarbonate

Electrical

Power Requirements:

12 to 24 VAC or VDC $\pm 10\%$, regulated recommended, 50 to 60 Hz, 10W max.

Environmental

Operating Temperature:
-10 °C to 55 °C (14 °F to 131 °F)

Relative Humidity:

0 to 95%, non-condensing

Enclosure: NEMA 4X/IP65 front

Shipping Weight 0.8 kg 1.8 lb

Standards and Approvals

- UL, CE, CUL
- Manufactured under ISO 9001 for Quality and ISO 14001 for Environmental Management

Ordering Information

Mfr. Part No.	Code	Description
3-5075	198 825 007	5075 Totalizing Flow Monitor

Accessories and Replacement Parts

Mfr. Part No.	Code	Description
Mounting		
3-5000.395	198 840 227	Splashproof rear cover kit
3-5000.598	198 840 225	Surface mount bracket (panel mount only)
3-0000.596	159 000 641	Heavy duty wall mount bracket (panel mount only)
3-5000.399	198 840 224	5 x 5 inch adapter plate to retrofit older Signet installations
Liquid Tight Connectors		
3-9000.392	159 000 368	Liquid tight connector kit (includes 3 connectors)
3-9000.392-1	159 000 839	Liquid tight connector kit, NPT (1 connector)
3-9000.392-2	159 000 841	Liquid tight connector kit, PG 13.5 (1 connector)
Replacement Parts		
3-5000.390	159 000 323	Installation kit (ProPoint® screws, clamps, mounting brackets)
3-5000.525-1	198 840 226	Bezel, 5000 series
3-5500.390	159 000 347	Dial kit
3-5500.611	159 000 348	Unit tags
3-5000.397	159 000 326	5000 series window (window, keypad, & screw)
Other		
3-5000.398	159 000 646	Protective overlay kit (10 pcs.)
3-5000.075	159 000 321	110V/24 VAC transformer
6400-9001	159 001 466	Intrinsic safety barrier (2 required)

Rev A (3/09)

© Georg Fischer Signet LLC

3401 Aerojet Avenue, El Monte, CA 91731-2882 U.S.A. • Tel. (626) 571-2770 • Fax (626) 573-2057 • www.gfsignet.com • e-mail: signet.ps@georgfischer.com
Specifications subject to change without notice. All rights reserved. All corporate names and trademarks stated herein are the property of their respective companies.